

# GOLDAIR

## Operating Instructions

### 2.5L Misting Fan



Item: GCMF220

# General Care and Safety Guide

**Thank you for choosing this Goldair product. This Goldair appliance has been designed and manufactured to high standards of engineering and with proper use and care, as described in this leaflet, will give you years of useful service. Please read these instructions carefully and keep them for future reference.**

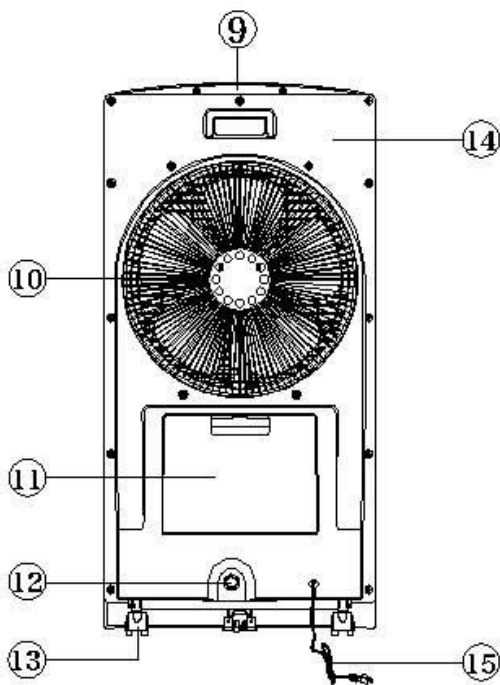
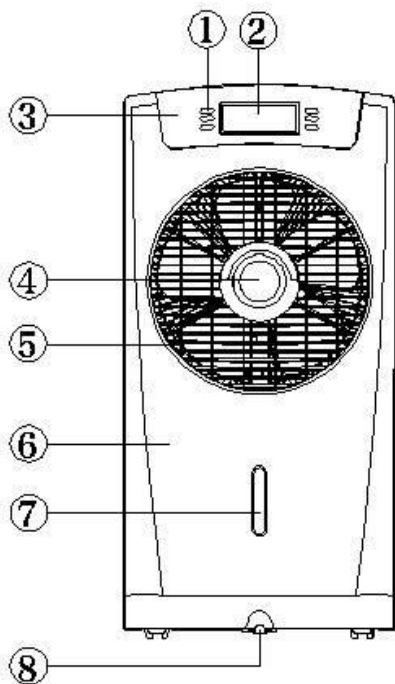
1. Use only the voltage specified on the rating plate of the appliance.
2. Keep all objects at least 1 Metre from the front, sides and rear of the appliance
3. This appliance is intended for household use only and not for commercial or industrial use.
4. Use this appliance only as described in this manual. Any other use is not recommended by the manufacturer and may cause fire, electric shock or injury.
5. The common cause of overheating is deposits of dust or fluff in the appliance. Ensure these deposits are removed regularly by unplugging the appliance and vacuum cleaning the air vents and grills.
6. Always unplug appliance when not in use.
7. When the appliance has been unpacked, check if for transport damage and ensure all parts have been delivered. If parts are missing of the appliance has been damaged, contact the CDB Customer Services Team.
8. If your appliance does not work, or is not working properly, contact the place of purchase. Repair work on the appliance by unqualified persons can cause serious risk to the user.
9. Ensure hands are dry before handling the plug or the Fan.
10. Carry out regular checks of the supply cord to ensure no damage is evident.
11. Children should be supervised to ensure that they do not play with the appliance.
12. Ensure that the cord is fully extended (not coiled) while in use.
13. Avoid contact with the moving parts. Keep hands, hair, clothing, away from blade of the Fan during operation to reduce the risk of injury to person and/or damage to the Fan.
14. Switch off and use handles provided when moving.
15. This appliance is not intended for use by persons (including children) with reduced physical, sensory or mental capabilities or lack of experience and knowledge, unless they are supervised or have been given instruction concerning the use of the Fan by a person responsible for their safety.
16. Never place appliance close to radiant heat source.
17. Never operate in areas where petrol, paint or other flammable liquids are used or stored.
18. Never use the appliance to dry clothes.
19. Never insert or allow foreign objects to enter any ventilation or exhaust opening, as this may cause an electric shock, fire or damage to the appliance.
20. Never use abrasive cleaning products on this appliance. Clean with a damp cloth (not wet) rinsed in hot soapy water only. Always remove plug from the mains supply before cleaning.
21. Never connect the appliance to mains supply until completely assembled and adjusted.
22. Never remove plug from power socket until the appliance has been switched off.
23. Never remove plug from power socket by pulling cord – always grip plug.
24. Never twist, kink or wrap the cord around the appliance, as this may cause the insulation to weaken and split. Always ensure that all cord has been removed from any cord storage area and is unrolled before use.
25. Never use this appliance in the immediate surrounds of a bath, a shower, or a swimming pool or other liquids. The appliance must not be immersed in any liquids.
26. Due to the risk of injury, never use this appliance for any purpose other than its intended use. This appliance is intended for use in household and similar applications such as staff kitchen areas in shops, offices and other working environments; farm houses, by clients in hotels, motels and other residential type environments, bed and breakfast type environments
27. Never use this appliance outdoors.
28. The use of an extension cord, power board, or external timer is not recommended with this unit.
29. Never operate the appliance with a damaged cord or plug, after it malfunctions, or if it has been damaged in any manner. Have the appliance checked and repaired by a qualified electrician if repair is necessary. If the supply cord is damaged, it must be replaced by the manufacturer, its service agent or similarly qualified persons in order to avoid a hazard.

## TECHNICAL SPECIFICATION

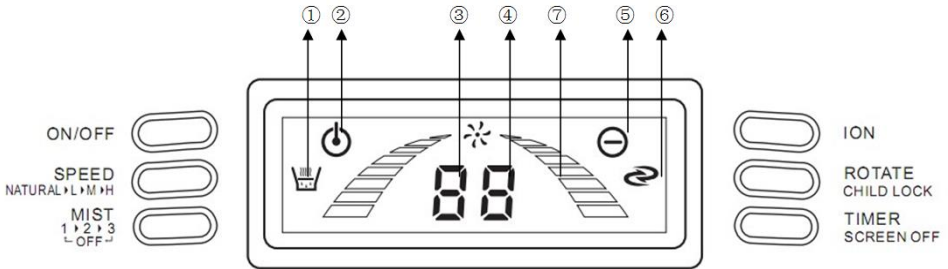
Model:	GCMF220
Supply:	220-240VAC 50Hz
Wattage:	90W

# Components

1. Control buttons
2. Digital screen
3. Control panel
4. Misting plate
5. Rotating air guide
6. Front cover
7. Water level window
8. Bracket
9. Handle
10. Back guard
11. Water tank
12. Drain cover
13. Swivel castor
14. Back cover
15. Power cord



# Components



## Display Screen

1. Misting icon
2. Power on icon
3. Wind speed icon
4. Timer icon
5. Ion function icon
6. Rotation icon
7. Fan function icon

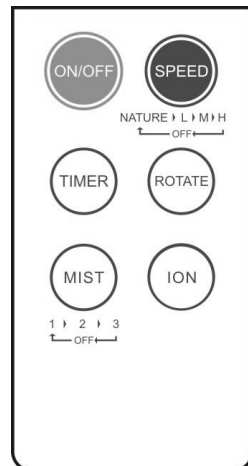
## Buttons on the panel

- \* On/Off button
- \* Wind speed button
- \* Mist button
- \* Ion function button
- \* Rotate /Child lock function button
- \* Timer/Screen Off button

## Remote control

- \* On/Off button
- \* Timer setting
- \* Misting setting
- \* Wind speed setting
- \* Front guard rotate setting
- \* Ion function on/off

Note: The function buttons on the remote control work in the same way as the buttons on the operating panel, with the exception of the child lock and screen-off functions which are not on the remote control.



# Operating your Fan

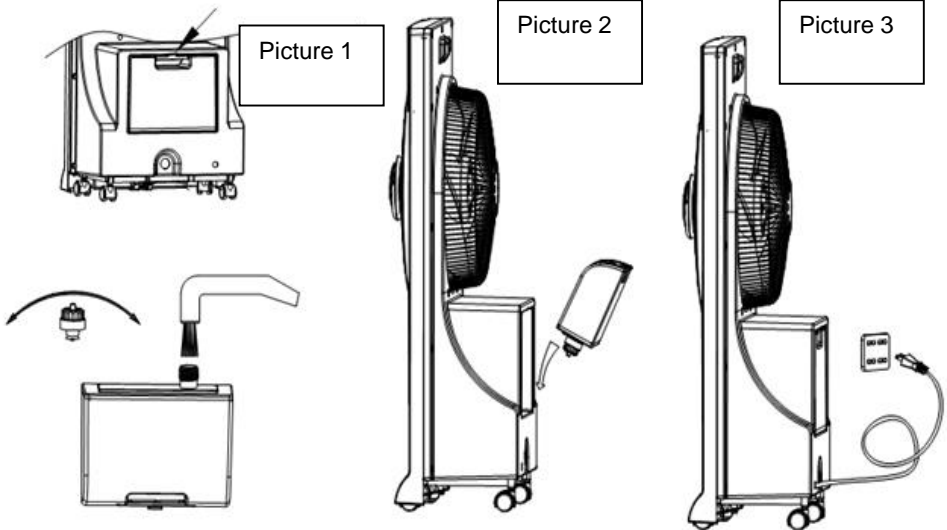
**This unit features four functions: misting fan, photocatalyzer, ionizer and box fan in one. You can use these functions at the same time or separately.**

**Misting function:** Using high frequency (HF) vibration (Frequency 1.7 MHz or 2.4MHz, which is inaudible and poses no harm to human body) the ceramic misting plate breaks up the water droplets, creating an elegant dry mist, without the need to heat or add any chemical agent.

**Ionizer function:** Negative ions can refresh the air by neutralising positive

ions. Air pollution is made up of many positive ions (solid particles, bacteria and chemical fog). When they combine, the positive and negative ions attract which can make the pollutants drop out of the air.

**Photocatalyst function:** The blue piece at the base of the fan bottom houses the photocatalyst. It can decompose noxious gases, inorganic compounds, inhibit the growth of the bacteria and the activity of viruses to supply fresh air.



**Warning: Unplug the appliance before filling and cleaning.**

Press the water tank handle button to take out the water tank. (Please refer to picture 1).

Fill the water tank with water, then place the water tank back in the machine. Please ensure that the water tank has been securely fastened to the back cover. (Please refer to picture 2).

Put the machine on a stable surface, insert the plug into the socket. A buzzer will sound ('Beep Beep'), the power icon will light up on the screen, the machine is now in standby mode. (Please refer to picture 3).

Press on/off button to start the fan.

# Operating your Fan

## **ON/OFF:**

Press the on/off button. The fan will start in natural wind mode, and the fan function icon will light-up on the screen. The screen will display the set speed (speed 1). **The Natural wind mode means that the fan will: run for 2 seconds then stop for 3 seconds.** Continue to press the ON/OFF button to scroll through the settings.

## **SPEED:**

Press the SPEED button, the wind speed will change to normal wind mode (speed 2), and the screen will display at 2. Press the button a second time and the wind speed will display at 3, Press the button a third time, the wind speed will change to high power and display at 4. Press the button a fourth time, the wind will stop and display at 0. **The wind speed will cycle through normal wind 2-3-4-0 sequence when pressing the SPEED.**

## **MIST:**

Press the MIST button to start the misting function, the misting icon will light-up.

The misting function works in three modes:

**Mode 1:** continuous misting.

**Mode 2:** misting function operates for 3 minutes then stops for 5 minutes.

**Mode 3:** misting function operates for 5 minutes then stops for 10 minutes.

Press it for a fourth time, the mist will stop and the misting icon turns off.

The mist function operates separately from the fan function, so you can use it as humidifier.

## **ION:**

Press the ION button to start the ION function, Ion function icon will be light up on the screen. Press it one more time and the Ion function will stop and the Ion function icon turns off.

**ROTATE/CHILD LOCK:** While the fan function is on, press the ROTATE button to start rotating, the rotation icon will be lit on the screen. Press it one more time; the rotation will stop and the rotation function icon is off. Please note that when the fan function isn't on, the rotation function can not be use.

Pressing the ION key for 3 seconds will activate the CHILD LOCK function, and pressing it again for 3 seconds will cancel CHILD LOCK This CHILD LOCK function can only be used when the fan is on.

## **TIMER:**

While the fan or the misting function is on, press the TIMER button for time setting. The screen will display the H icon and timer icon will be set at 1 hour. The timer icon setting will increase from 1 hour→ 2hours→ 3hours→ and so on to →9hours, and then →OFF when pressing the Timer button. This means that the fan or misting function and the timer icon will be on until timing off automatically or until you stop it manually.

Press this key for 3 seconds to turn the screen light off, the screen will not illuminate, but the fan will continue to function. This is designed to avoid excess light when you sleep. Press it again for 3 seconds to light-up the screen.

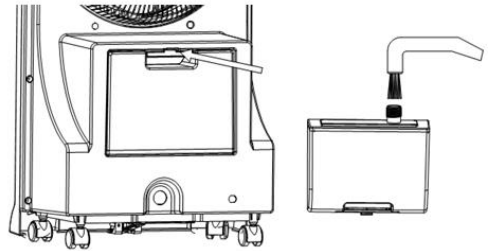
# Cleaning and Maintenance

**Warning:** Please be sure to power off the fan and pull out plug from the socket before cleaning.

Please clean the water tank and the misting box once every two weeks using the following steps:

## Cleaning water tank:

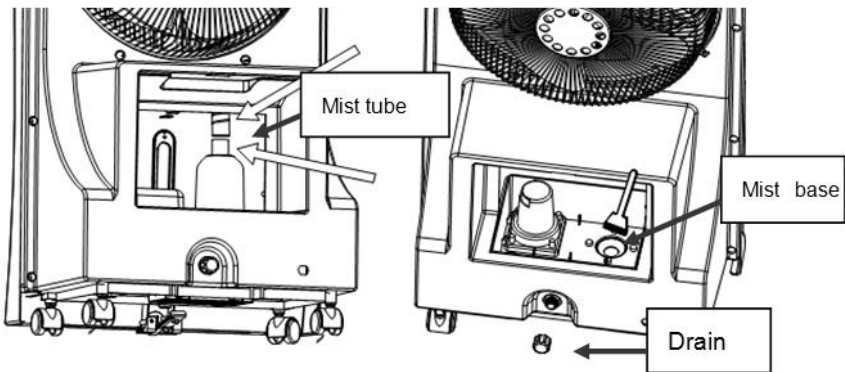
Take out the water tank and rinse with clean water, then pour out the water and wipe the tank with a clean cloth.



## Cleaning misting box and misting box cover:

Pull out the mist tube from the mist box cover, then take out the mist box and clean it (see picture 1).

Remove the scale on the mist plate and mist box with a soft brush, then flush with clean water. Drain the water and dry it with a cloth. (See picture1)



Picture 1

Picture 2

# Cleaning and Maintenance

Please clean the misting plate, fan blade and back guard every month.

## Cleaning the misting plate:

Pull out the decorative ring on the misting plate ①.

Remove the 3 screws from the cover ②.

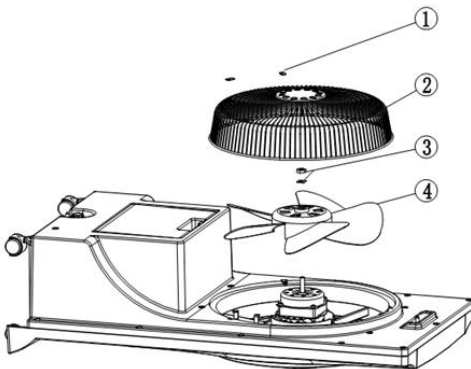
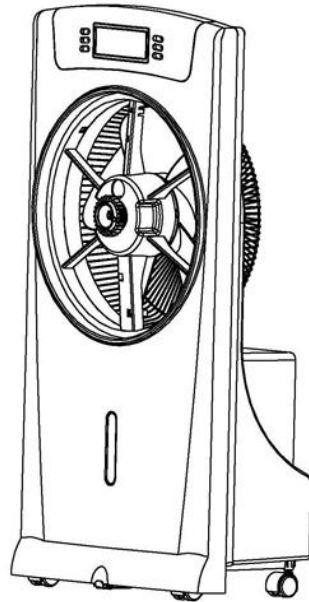
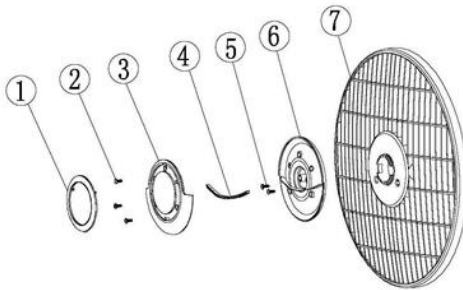
Pull out the misting plate cover ③.

Remove the 2 screws from the misting plate base ⑤.

Pull out the misting plate base ⑥.

Pull out the front air louvre ⑦.

Clean each component with a soft cloth and re-assemble.



## Cleaning the fan blade and back guard:

Remove both screws ① on the back guard ②, and take the net clip off.

Take the back guard off.

Remove the nut and nut washer from the motor axle ③.

Take the fan blade ④ off.

Wash these parts and dry them then re-assemble.



# Cleaning and Maintenance

Please clean the photocatalyst every month.

## Cleaning the photocatalyst :

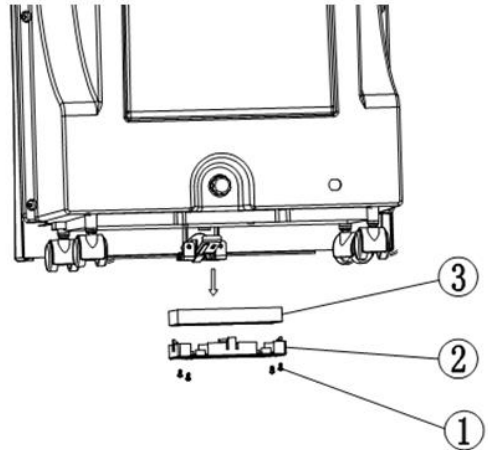
Remove the 4 screws ① on the bottom box holding this item.

Take off the photocatalyst housing ②.

Remove photocatalyst ③.

Clean the dust from the photocatalyst, and wipe the holder.

Re-install all these parts in reverse order.



Please clean the unit body as required.

## Clean the unit body:

Wipe the machine with soft wet cloth. Use a mild neutral detergent for stubborn stains.

DO NOT use any corrosive cleaners such as gas or alcohol to clean the plastic parts of the machine. Put the machine into the box and keep it in a dry with good air circulation place.

To avoid risk of electric shock, before cleaning, you MUST ALWAYS switch off and unplug the Fan before cleaning.

Use only a soft, damp cloth to gently wipe the Fan and dry well.

DO NOT immerse the Fan in water and never allow water to enter the motor housing.

DO NOT use harsh chemicals to clean the Fan.

## Storage:

When not in use put the machine into the box and store it in a dry place with good air circulation.

## PROOF OF PURCHASE

To receive warranty retain receipt as proof of purchase. (Refer to back of booklet).

# GOLDAIR

## SUPPORT AND TECHNICAL ADVICE

**Goldair – New Zealand**  
Monday – Friday 8am-5pm  
Phone +64 (0)9 917 4000  
Phone 0800 232 633  
info@cdb.co.nz

**Goldair – Australia**  
Monday – Friday 8am-5pm  
Phone +61 (0)3 9336 4423  
Phone 1300 465 324  
info@cdbgoldair.com.au

## One Year Warranty

Thank you for purchasing this Goldair product. Your product is warranted against faults and manufacture when used in normal domestic use for a period of **one year**. In non-domestic use Goldair limits the voluntary warranty to **three months**.

Goldair undertake to repair or replace this product at no charge if found to be defective due to a manufacturing fault during the warranty period.

This warranty excludes damage caused by misuse, neglect, shipping accident, incorrect installation, or work carried out by anyone other than a qualified electrical service technician.

PLEASE KEEP YOUR RECEIPT AS THIS WILL HELP VERIFY YOUR WARRANTY.

The benefits to you given by this warranty are in addition to other rights and remedies available to you under a law in relation to the goods or services to which this warranty relates.

In Australia, our goods come with guarantees that cannot be excluded under the Australian Consumer Law. You are entitled to a replacement or refund for a major failure and compensation for any other reasonably foreseeable loss or damage. You are also entitled to have the goods repaired or replaced if the goods fail to be of acceptable quality and the failure does not amount to a major failure.

In New Zealand this warranty is additional to the conditions and guarantees of the Consumers Guarantee Act (1993).

### Goldair – New Zealand

CDB Goldair  
PO Box 100-707  
N.S.M.C  
Auckland

Phone +64 (0)9 917 4000

Phone 0800 232 633

[www.goldair.co.nz](http://www.goldair.co.nz)

### Goldair – Australia

CDB Goldair Australia Pty  
PO Box 574  
South Morang  
Victoria, 3752

Phone +61 (0)3 9336 4423

Phone 1300 GOLDAIR (1300 465 324)

[www.goldair.com.au](http://www.goldair.com.au)

### Goldair One Year Warranty (IMPORTANT: Please complete and retain this warranty card)

Name \_\_\_\_\_

Address \_\_\_\_\_

Place Of Purchase \_\_\_\_\_ Date of Purchase \_\_\_\_\_

Name Of Product \_\_\_\_\_ Model Number \_\_\_\_\_

Attach a copy of the purchase receipt to this warranty card